

TX7320

Addressable Sounder



1 Feature and Benefits

- EN54-3 Compliance
- Built-in MCU processor and digital addressing
- 17 tones Programmable sound output
- Programmable Evacuate or Pre-alarm/Evacuate signal
- Low and normal consumption mode
- One or Two addresses mode
- Onsite Adjustable Parameters
- Loop or external power input
- Aesthetically pleasing design
- Universal mounting with fix base for simple installation

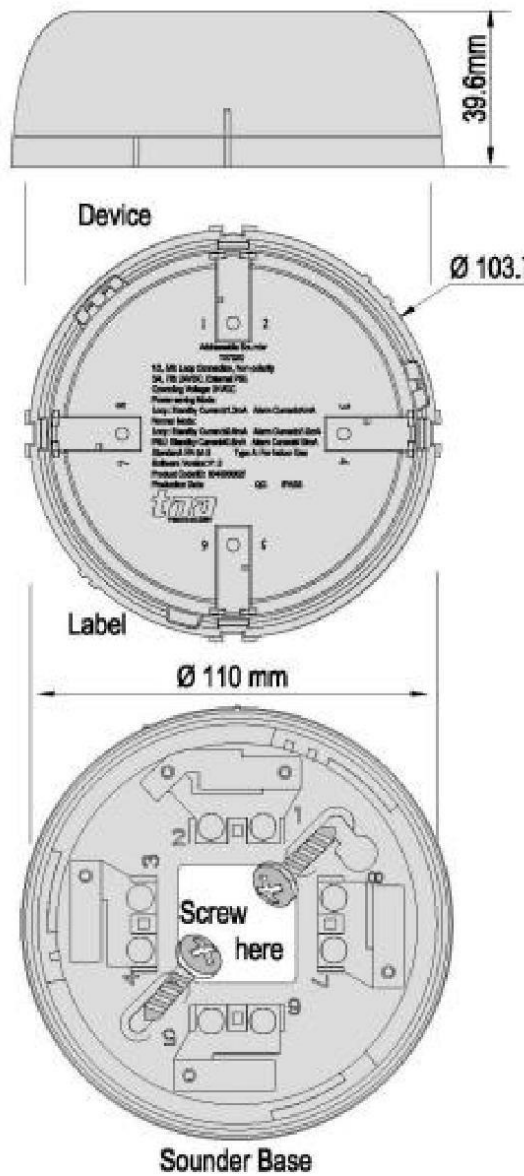
2 Technical Specification

- | | |
|-----------------------------|---|
| ● Compliance | EN54-3 |
| ● Input Voltage | Loop Power: 24VDC [18V to 27.5V]
External PSU: 24VDC [20V to 27.5V] |
| ● Typical Current | Loop: Standby 0.6mA, Alarm: 1.5mA |
| ● [Loop and External PSU] | External PSU: Standby 0.6mA, Alarm: 10mA |
| ● Saving Current | Standby 1.2mA, Alarm: 4mA |
| ● [Loop powered] | |
| ● Protocol/Addressing | TNA, Value range from 1 to 254 |
| ● Address Sequence | Single Address: Evacuate tone
Dual Address: 1st Alert Tone / 2nd Evacuate tone |
| ● Material / Colour | ABS / RED Glossy finishing |
| ● Dimension / Height | Diameter 110 mm / 39.6 (with Base) |
| ● Weight | 180g (with Base), 114g (without Base) |
| ● Class | Type A, Indoors |
| ● Operating Temperature | -10°C to +50°C |
| ● Ingress Protection Rating | IP21 |

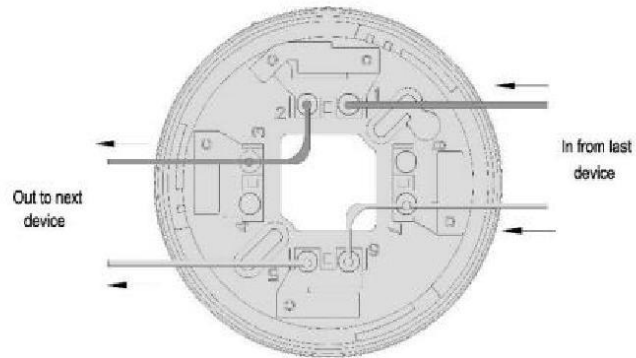
TX7 DATA SHEET

- Humidity
- Installation and Wiring Details

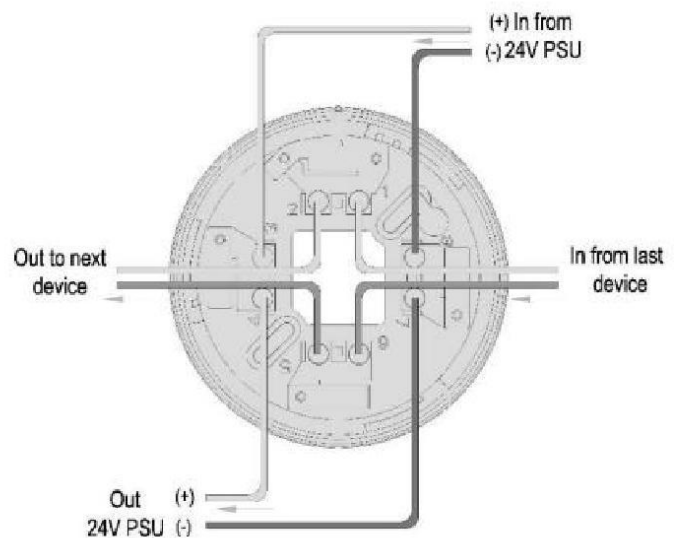
0 to 95% Relative Humidity, Non condensing



Loop Powered Wiring Details



With External Supply Wiring Details



Terminal Description

- 1 Signal In (+)
- 2 Signal Out (+)
- 3 External PSU In (+) Optional
- 4 External PSU Out (+) Optional
- 5 Signal In (-)
- 6 Signal Out (-)
- 7 External PSU In (-) Optional
- 8 External PSU Out (-) Optional